

截止阀系列 GLOBE VALVE SERIES



碳钢截止阀 CARBON STEEL GLOBE VALVE

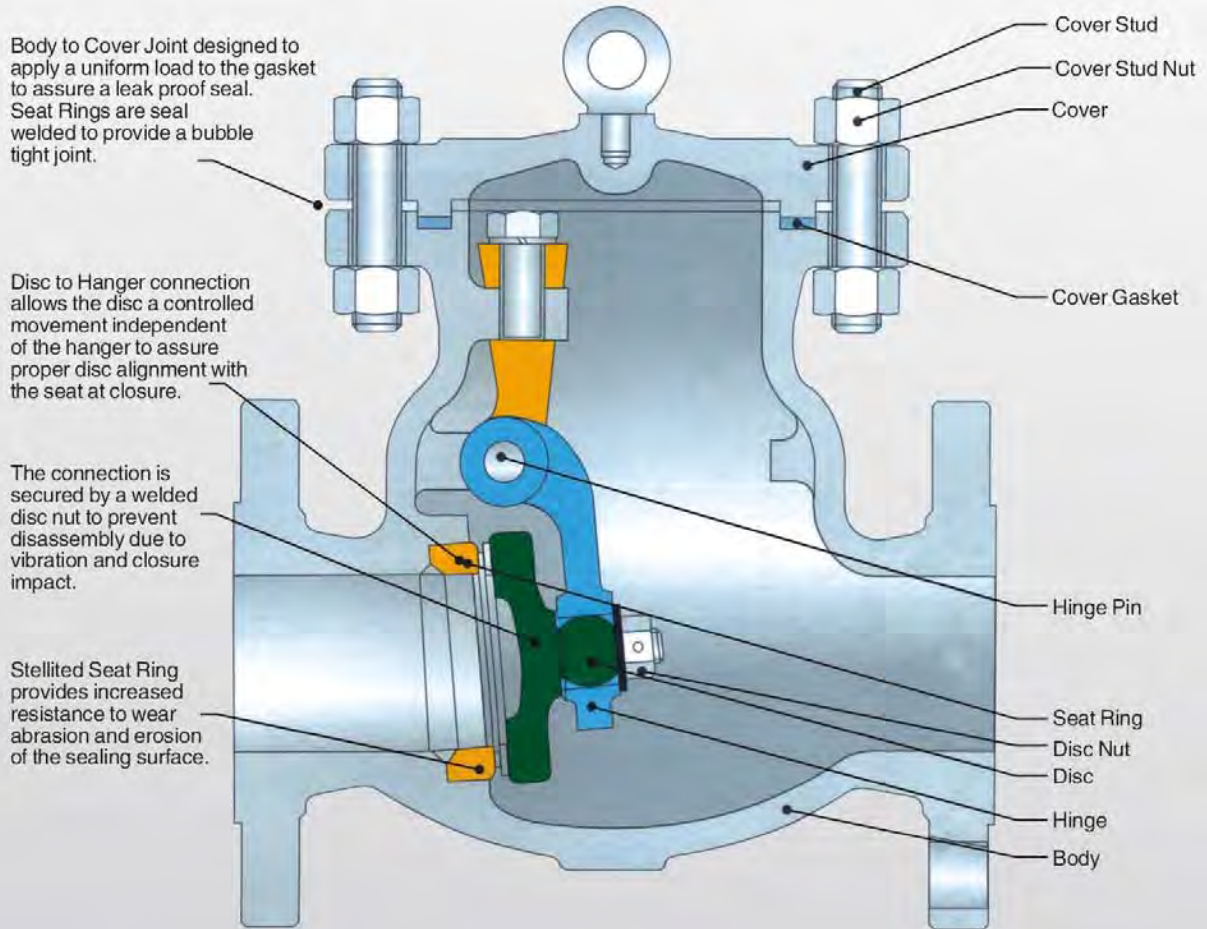
150LB / 300LB / 600LB / 900LB

技术参数 DIMENSIONS DATA

英寸NPS 口径 DN	2 50	2-1/2 65	3 80	4 100	6 150	8 200	10 250	12 300	14 350	16 400	18 450	20 500	24 600	in mm
ANSI Class 150lb														
L/L1 (RF/BW)	8 203	8.5 216	9.5 241	11.5 292	16 406	19.5 495	24.5 622	27.5 698	31 787	36 914	38.46 977	38.46 977	50.98 1295	in mm
L2 (RTJ)	8.5 216	9 229	10 254	12 305	16.5 419	20 508	25 635	28 711	31.5 800	36.5 927	-	-	-	in mm
H (OPEN)	15 380	21 535	17.5 445	20.25 515	22 560	24.25 615	32 815	35.88 910	48.38 1230	57 1450	41.96 1066	43.97 1117	50.98 1295	in mm
(d)	51	64	76	102	152	203	254	305	337	387	438	489	591	mm
DO	8 200	12 250	12 250	11 280	14 350	18 450	22 550	24 600	24 600	28 700	28 700	28 700	34 850	in mm
WT (kg)	17 14	25 19	33 26	52 42	89 71	146 117	340 272	485 362	550 491	724 650	1400 1250	2600 2300	3700 3250	RF/RTJ BW
英寸NPS 口径 DN	2 50	2-1/2 65	3 80	4 100	6 150	8 200	10 250	12 300	14 350	16 400	18 450	20 500	24 600	in mm
ANSI Class 300lb														
L/L1 (RF/BW)	10.5 267	11.5 292	12.5 318	14 356	17.5 444	22 559	24.5 622	28 711	33 838	34 864	38.5 978	40 1016	53 1346	in mm
L2 (RTJ)	11.12 282	12.12 308	13.12 333	14.62 371	18.12 460	22.62 575	26.12 638	28.62 727	-	-	-	-	-	in mm
H (OPEN)	16.75 425	19 485	19.88 505	22.5 570	25.25 640	33.25 845	35.5 900	38.62 980	-	53.97 1371	58 1473	62 1574	71 1803	in mm
(d)	51	64	76	102	152	203	254	305	337	387	438	489	591	mm
DO	8 200	8 200	10 250	11 280	14 350	18 450	20 500	24 600	34 850	24 610	24 610	28 720	28 720	in mm
WT (kg)	31 25	40 31	54 40	80 61	125 104	173 137	297 213	500 432	724 632	1125 975	1650 1450	2700 2400	3650 3200	RF/RTJ BW
英寸NPS 口径 DN	2 50	2-1/2 65	3 80	4 100	6 150	8 200	10 250	12 300	in mm					
ANSI Class 600lb														
L/L1 (RF/BW)	11.5 292	13 330	14 356	17 432	22 559	26 660	31 787	33 838	in mm					
L2 (RTJ)	11.62 295	13.12 333	14.12 359	17.12 435	22.12 562	26.12 664	31.12 791	33.12 841	in mm					
H (OPEN)	17.5 445	19.75 502	21 533	24.5 622	29.5 750	36.5 927	44.88 1140	53.12 1350	in mm					
(d)	51	64	76	102	152	200	248	298	mm					
DO	10 250	12 300	14 350	16 400	18 450	20 500	24 610	24 600	in mm					
WT (kg)	37 30	50 40	62 58	150 132	294 227	543 460	1006 729	1350 1060	RF/RTJ BW					
英寸NPS 口径 DN	2 50	2-1/2 65	3 80	4 100	6 150	8 200	10 250	12 300	in mm					
ANSI Class 900lb														
L/L1 (RF/BW)	14.5 368	16.5 419	15 381	18 457	24 610	29 737	33 838	-	in mm					
L2 (RTJ)	14.62 371	16.62 422	15.12 384	18.12 460	24.12 613	29.12 740	33.12 841	-	in mm					
H (OPEN)	22 560	23.25 590	25.25 640	31.88 810	41.38 1050	53.5 1360	61.88 1570	-	in mm					
(d)	51	64	76	102	152	200	248	-	mm					
DO	14 350	14 350	16 400	18 450	20 500	24 600	24 600	-	in mm					
WT (kg)	95 75	138 85	140 112	197 158	435 360	720 597	1070 890	-	RF/RTJ BW					

CHECK VALVE SERIES





碳钢止回阀 CARBON STEEL CHECK VALVE

150LB/300LB/600LB/900LB/1500LB

技术标准 Technical Standard;
设计标准 Design STD.: BS1868,API6D,ASME/ANSI B16.34
结构长度 Face To Face: ASME/ANSI B16.10
法兰连接 Flange End Connection: ASME/ANSI B16.5
对焊连接 Welded End Connection: ASME/ANSI B16.25
检验和测试 Inspection And Test: API598

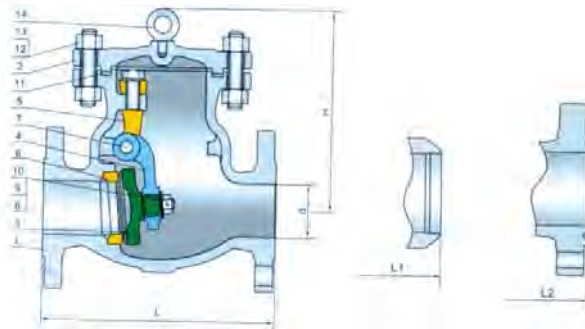
产品说明 Design description:

旋启式阀瓣 Swing type disc
栓盖结构 BB, bolted bonnet
水平或垂直安装 Horizontal or vertical service
缩径或全口径 Reduce port or full port

序号 No	部件名称 Part Name	材料 ASTM Material					
		碳钢 Carbon Steel	高温钢 High TEMP Material	低温钢 Low TEMP Material	不锈钢 Stainless steel	不锈钢 Stainless steel	双相钢 Duplex SS
1	阀体Body	A216-WCB	A217-WC6	A352-LCB	A351-CF8	A351-CF8M	A890-GR 4A
2	阀盖Bonnet	A216-WCB	A217-WC6	A352-LCB	A351-CF8	A351-CF8M	A890-GR 4A
3	阀瓣Disc	A216-WCB+CR13	A217-WC6	A352-LCB+CR13	A351-CF8	A351-CF8M	A890-GR 4A
4	摇杆Hinge	A216-WCB	A217-WC6	A352-LCB	A351-CF8	A351-CF8M	A890-GR 4A
5	摇臂Arm	A216-WCB	A217-WC6	A352-LCB	A351-CF8	A351-CF8M	A890-GR 4A
6	阀座Seat Ring	A105+HF ²⁾	A182-F11+HF ³⁾	A350-LF2+HF ³⁾	A182-304+HF ³⁾	A182-316+HF ³⁾	A182-F51 ⁴⁾
7	横销Hinge Pin	A276-420	A276-304	A276-420	A276-304	A276-316	A182-F51
8	阀瓣垫圈Disc Washer	碳钢Carbon Steel	A276-304	碳钢Carbon Steel	A276-304	A276-316	A182-321
9	阀瓣螺母Disc Nut	A276-420	A276-304	A276-420	A276-304	A276-316	A182-321
10	阀瓣螺栓Disc Nut Pin	碳钢Carbon Steel	A276-304	碳钢Carbon Steel	A276-304	A276-316	A182-321
11	中道垫Bonnet Gasket	石墨Graphite+304 ¹⁾				石墨Graphite+316 ¹⁾	石墨Graphite+321 ¹⁾
12	中道螺栓Bonnet Stud	A193-B7	A193-B16	A320-L7	A193-B8	A193-B8M	A320-L7M+镀锌Zn
13	中道螺母Bonnet Nut	A194-2H	A194-4	A194-4	A194-8	A194-8M	A194-7M++镀锌Zn
14	吊环Eye Bolt	碳钢Carbon Steel					

备注 NOTE:

- 150lb-600lb 使用缠绕垫片, 600lb-1500lb使用金属环垫。
150lb-600lb Spiral Wound Gasket,
600lb-1500lb Ring Gasket.
- 碳钢类2"-6"可供应螺纹连接或者焊接可更换阀座。
Carbon steel 2"-6" seat ring can supply threaded renewable type or welded renewable type.
碳钢类8"及以上供应焊接可更换阀座。
Carbon steel 8" and up size seat ring supply with welded renewable type.
不锈钢类全部为本体阀座。
Stainless steel valves all supply with body seat.



止回阀系列 CHECK VALVE SERIES



碳钢止回阀 CARBON STEEL CHECK VALVE

150LB/300LB/600LB/900LB/1500LB

技术参数 DIMENSIONS DATA

英寸NPS 口径DN	2 50	2-1/2 65	3 80	4 100	6 150	8 200	10 250	12 300	14 350	16 400	18 450	20 500	24 600	26 650	28 700	30 750	36 900	40 1000	42 1050	48 1200	in mm
ANSI Class 150lb																					
L/L1 (RF/BW)	8 203	8.5 216	9.5 241	11.5 292	14 356	19.5 495	24.5 622	27.5 699	31 787	34 864	38.5 978	38.5 978	51 1295	51 1295	57 1448	60 1524	77 1956	85 2159	89 2261	101 2566	in mm
L2 (RTJ)	8.5 216	9 229	10 254	12 305	14.5 368	20 508	25 635	28 711	31.5 800	34.5 876	34.9 991	39 991	51.5 1308	-	-	-	-	-	-	-	in mm
H	6 152	6.5 165	6.88 175	8 204	11.5 293	13.88 353	15.38 390	17 432	18.75 475	20.62 525	22.88 582	24.62 627	34.75 883	35.88 910	37 940	38.62 980	54.2 1377	55.5 1410	57.8 1468	64.6 1642	in mm
(d)	51 1308	64 1627	76 1927	102 2591	152 3861	203 5167	254 6451	305 7745	337 8579	387 9843	438 11067	489 12411	591 15011	633 16171	684 17401	735 18671	874 22171	-	-	-	in mm
WT (kg)	15 10	20 12	25 17	39 29	69 57	127 96	200 143	265 227	415 294	517 468	632 552	829 755	1427 831	1549 1120	1950 1838	2640 2261	3380 3310	4815 4840	5300 5275	7110 7050	RF/RTJ BW
ANSI Class 300lb																					
L/L1 (RF/BW)	10.5 267	11.5 292	12.5 318	14 356	17.5 445	21 533	24.5 622	28 711	33 838	34 864	38.5 978	40 1016	53 1346	53 1346	59 1499	62.75 1594	82 2083	96 2438	103 2617	124 3151	in mm
L2 (RTJ)	11.12 283	12.12 308	13.12 333	14.62 371	18.12 460	21.62 549	25.12 638	28.62 727	33.62 854	34.62 879	39.12 994	40.75 1035	53.88 1368	54 1372	60 1524	63.75 1619	-	-	-	-	in mm
H	6.9 176	7.3 185	8.5 216	10.2 259	12.5 317	15 380	17.1 434	20.1 511	22.1 561	23.5 596	26.6 675	28.7 730	33.9 860	36.6 930	45.8 1163	50 1270	59.4 1510	68.9 1750	73.6 1870	87.8 2230	in mm
(d)	51 1308	64 1627	76 1927	102 2591	152 3861	203 5167	254 6451	305 7745	337 8579	387 9843	438 11067	489 12411	591 15011	641 16411	692 17611	743 18861	876 22161	-	-	-	in mm
WT (kg)	16 21	30 22	39 30	60 53	127 101	193 157	309 232	445 414	612 455	778 766	958 774	1306 960	2200 1792	2850 1995	3680 2780	4890 3380	6290 5640	7050 6150	8810 8010	13000 12000	RF/RTJ BW
ANSI Class 600lb																					
L/L1 (RF/BW)	11.5 292	13 330	14 356	17 432	22 559	26 660	31 787	33 838	35 889	39 991	43 1092	47 1194	55 1397	57 1448	61 1549	65 1651	82 2082	90 2286	96 2438	100 2540	in mm
L2 (RTJ)	11.62 295	13.12 333	14.12 359	17.12 435	22.12 562	26.12 664	31.12 791	33.12 841	35.12 892	39.12 994	43.12 1095	47.25 1200	55.38 1407	57.50 1461	61.50 1562	65.50 1664	82.62 2099	-	-	-	in mm
H	7.2 184	8.3 210	9.1 232	10.4 263	14.7 374	16.8 426	20.4 517	22.4 569	24.5 622	26.8 680	29.6 752	38.4 975	43.7 1111	46.9 1192	52.1 1324	60.7 1542	67 1702	70.9 1800	85.5 2171	in mm	
(d)	51 1308	64 1627	76 1927	102 2591	152 3861	203 5167	254 6451	305 7745	337 8579	387 9843	438 11067	489 12411	591 15011	641 16411	692 17611	743 18861	876 22161	-	-	-	in mm
WT (kg)	28 21	43 35	52 43	98 64	199 145	349 256	594 375	814 589	1045 694	1473 932	1900 1279	2375 1702	3155 2497	3800 3100	4600 3900	5600 4700	8100 7200	8900 8100	9800 9900	15000 13600	RF/RTJ BW
ANSI Class 900lb																					
L/L1 (RF/BW)	14.5 368	-	15 381	18 457	24 610	29 737	33 838	38 965	40.5 1029	44.5 1130	48 1219	52 1321	61 1549	65 1651	69 1753	73 1854	84.9 2156	-	-	-	in mm
L2 (RTJ)	14.62 371	-	15.12 384	18.12 460	24.12 613	29.12 740	33.12 841	38.12 968	40.88 1038	44.88 1140	48.5 1232	52.5 1333	61.7 1568	65.9 1673	69.9 1775	73.9 1876	-	-	-	-	in mm
H	11.7 296	-	11.8 300	12.9 327	17.4 441	19.8 502	26.1 664	30.5 775	30.8 782	33 838	33 839	36.7 932	36.4 924	44.1 1121	54 1372	59.9 1521	71.7 1821	-	-	-	in mm
(d)	51 1308	-	76 1927	102 2591	152 3861	203 5167	254 6451	305 7745	322 8221	373 9471	423 10711	471 12011	522 13311	-	-	-	-	-	-	-	in mm
WT (kg)	70 50	-	110 77	150 113	305 230	510 387	810 632	1120 901	1380 1139	1900 1613	3000 2650	4000 3550	5200 4650	6600 5630	7550 6420	8850 7510	12750 10780	-	-	-	RF/RTJ BW
ANSI Class 1500lb																					
L/L1 (RF/BW)	14.5 368	-	18.5 470	21.5 546	27.75 705	32.75 832	39 991	44.5 1130	49.5 1257	54.5 1384	60.5 1537	65.5 1664	76.5 1943	82 2083	87.5 2222.5	93 2362	-	-	-	-	in mm
L2 (RTJ)	14.62 371	-	16.62 422	18.62 473	21.62 549	28 711	33.13 842	39.38 1000	45.12 1146	50.25 1276	56.38 1407	61.4 1559	66.4 1686	77.6 1972	-	-	-	-	-	-	in mm
H	11.7 296	-	13.4 341	16.2 412	20.1 511	26.8 680	29.8 756	33.7 857	37.4 950	40.1 1020	45.2 1147	50.6 1284	60.6 1539	70.6 1794	80.7 2049	90.7 2304	-	-	-	-	in mm
(d)	51 1308	-	76 1927	102 2591	144 3651	192 4911	239 6071	287 7311	315 8011	360 9141	-	-	-	-	-	-	-	-	-	-	in mm
WT (kg)	70 50	-	150 115	245 190	550 452	1010 750	1476 1012	2280 1780	3060 2290	4500 3500	6100 5200	8000 7500	9800 8400	11600 9300	13400 10200	15200 11100	-	-	-	-	RF/RTJ BW

对夹止回阀 WAFFER CHECK VALVE

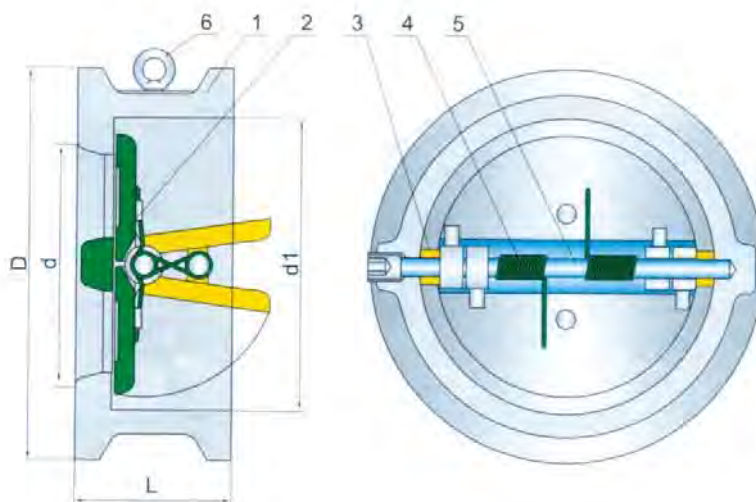
150LB/300LB/600LB/900LB

技术标准 Technical Standard;
设计标准 Design STD.: API594,ASME/ANSI B16.47
结构长度 Face To Face: ASME/ANSI B16.10
法兰连接 Flange End Connection: ASME/ANSI B16.5
检验和测试 Inspection And Test: API598

产品说明 Design description:

一体式 One piece body
蝶式旋启 Butterfly swing type
双瓣 Dual-plate disc, long-pattern
可更换瓣 Renewable split disc
水平或垂直安装 Horizontal or vertical service
对夹式 Wafer ends
可供法兰连接 Available with flanged ends

序号 No	部件名称 Part Name	材料 ASTM Material					
		碳钢 Carbon Steel	高温钢 High TEMP. Material	低温钢 Low TEMP. Material	不锈钢 Stainless steel	不锈钢 Stainless steel	双相钢 Duplex SS
1	阀体Body	A216-WCB	A217-WC6	A352-LCB	A351-CF8	A351-CF8M	A890-GR 4A
2	阀板Plate	A216-WCB+CR13	A217-WC6+HF	A352-LCB+CR13	A351-CF8+HF	A351-CF8M+HF	A890-GR 4A
3	定位销Stop Pin	A276-420	A276-304	A276-420	A276-304	A276-316	A182-F51
4	弹簧Spring	因科内尔铬镍铁合金 Inconel					
5	销轴Hinge Pin	A276-420	A276-304	A276-420	A276-304	A276-316	A182-F51
6	吊环Eyebolt	碳钢 Carbon Steel					



对夹止回阀系列 WAFFER CHECK VALVE SERIES



对夹止回阀 WAFFER CHECK VALVE

150LB/300LB/600LB/900LB

技术参数 DIMENSIONS DATA

英寸NPS 口径 DN	2 50	2-1/2 65	3 80	4 100	6 150	8 200	10 250	12 300	14 350	16 400	18 450	20 500	24 600	in mm
ANSI Class 150lb														
L	2.38 60	2.62 67	2.88 73	2.88 73	3.88 98	5 127	5.75 146	7.12 181	7.25 184	7.5 191	8 203	8.62 219	8.74 222	in mm
D	4 103	4.88 122	5.38 136	6.75 173	8.62 220	10.88 277	13.25 337	16 407	17.62 448	20.12 512	21.5 547	23.75 604	28.12 715	in mm
d	2 51	2.5 65	3.25 80	4 102	6 152	8 203	10 254	12 305	13.75 350	15.75 400	17.75 450	19.75 500	23.62 600	in mm
d1	2.25 56	2.88 73	3.5 88	4.25 108	6.25 160	8.25 210	10.5 266	12.12 310	14 355	16 405	18 455	19.88 505	23.75 605	in mm
WT(kg)	2	3	4	6	13	25	39	54	80	117	138	163	331	mm

英寸NPS 口径 DN	2 50	2-1/2 65	3 80	4 100	6 150	8 200	10 250	12 300	14 350	16 400	18 450	20 500	24 600	in mm
ANSI Class 300lb														
L	2.38 60	2.62 67	2.88 73	2.88 73	3.88 98	5 127	5.75 146	7.12 181	8.75 222	9.12 232	10.38 264	11.5 292	12.5 318	in mm
D	4.25 110	5 128	5.75 147	7 179	9.88 249	12 305	14.12 359	16.5 420	19 483	21.12 537	23.38 594	25.62 652	30.38 772	in mm
d	2 51	2.5 65	3 80	4 102	6 152	8 203	10 254	12 305	14 350	16 400	18 450	20 500	24 600	in mm
d1	2.25 58	2.88 73	3.5 88	4.25 108	6.38 160	8.25 210	10.5 266	12.25 310	14 355	16 405	18 455	20 505	24 608	in mm
WT(kg)	3	4	6	8	18	30	50	75	115	190	200	260	410	mm

英寸NPS 口径 DN	2 50	2-1/2 65	3 80	4 100	6 150	8 200	10 250	12 300	14 350	16 400	18 450	20 500	24 600	in mm
ANSI Class 600lb														
L	2.38 60	2.62 67	2.88 73	3.11 79	5.35 136	6.5 165	8.39 213	9 229	10.75 273	12 305	14.25 362	14.5 368	17.24 438	in mm
D	4.25 110	5 128	5.75 143	7.52 191	9.41 239	12.52 318	15.7 398	17.9 455	19.29 490/483	22.12 562	24 610	26.77 680	30.9 786	in mm
d	2 51	2.5 65	3 80	4 102	6 152	7.87 200	9.84 250	12 305	13.27 337	15.24 387	17.24 438	19.25 489	23.27 591	in mm
d1	2.25 58	2.88 73	3.5 88	4.25 108	6.38 162	8.35 212	10.5 266	12.28 312	14 355	15.75 400	17.72 450	19.69 500	23.62 600	in mm
WT(kg)	4	5	8	11	25	50	90	140	220	360	380	510	830	mm

英寸NPS 口径 DN	2 50	2-1/2 65	3 80	4 100	6 150	8 200	10 250	12 300	14 350	16 400	18 450	20 500	24 600	in mm
ANSI Class 900lb														
L	2.76 70	3.27 83	3.27 83	4.02 102	6.26 159	8.11 206	9.49 241	11.50 292	14 356	15.12 384	17.76 451	17.76 451	19.49 495	in mm
D	5.51 140	6.38 162	6.5 165	8.03 204	11.26 286	14 356	17 432	19.5 495	20.39 518	22.52 572	25 635	27.36 695	32.87 835	in mm
d	2 51	2.5 65	3 80	4 102	5.9 150	7.87 200	9.84 250	12 305	13.27 337	15.24 387	17.24 438	19.17 487	23.27 591	in mm
d1	2.25 58	2.88 73	3.54 90	4.25 108	6.38 162	8.35 212	10.5 266	12.28 312	14 355	15.75 400	17.72 450	19.53 496	23.62 600	in mm
WT(kg)	8	10	14	20	40	80	140	220	350	470	600	820	1050	mm

过滤器 STRAINER

150LB/300LB

技术标准 Technical Standard;
 设计标准 Design STD.: ASME/ANSI B16.34
 结构长度 Face To Face: ASME/ANSI B16.10
 法兰连接 Flange End Connection: ASME/ANSI B16.5
 对焊连接 Welded End Connection: ASME/ANSI B16.25
 检验和测试 Inspection And Test: API598

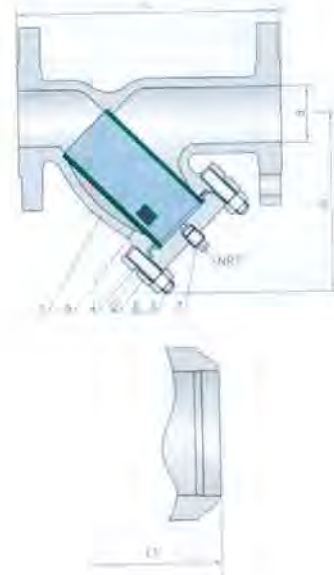
产品说明 Design description:

"Y"型 Y-pattern type
 栓盖结构带堵头 Bolted bonnet cap with drain plug
 不锈钢滤网 Stainless steel screen
 根据100目设计 Strainer density 100 mesh design
 可更换滤网 Renewable strainer screen
 法兰或对焊连接 Flanged or butt welding ends

序号 No	部件名称 Part Name	材料 ASTM Material					
		碳钢 Carbon Steel	高温钢 High TEMP. Material	低温钢 Low TEMP. Material	不锈钢 Stainless steel	不锈钢 Stainless steel	双相钢 Duplex SS
1	阀体 Body	A216-WCB	A217-WC6	A352-LCB	A351-CF8	A351-CF8M	A890-GR 4A
2	阀盖 Bonnet Cap	A216-WCB	A217-WC6	A352-LCB	A351-CF8	A351-CF8M	A890-GR 4A
3	过滤网 Screen	A240-304	A240-304	A240-304	A240-304	A240-316	A240-321
4	垫片 Bonnet Gasket					PTFE	PTFE
5	螺栓 Bonnet Stud	A193-B7	A193-B16	A320-L7	A193-B8	A193-B8M	A320-L7M+镀锌 Zn
6	螺母 Bonnet Stud Nut	A194-2H	A194-A	A194-4	A194-8	A194-8M	A194-7M+镀锌 Zn
7	堵头 Plug	A276-410	A276-410	A276-410	A276-304	A276-316	A182-F51

Percentage Open Area

MEH	A SWG	B m/m	C m/m	D %
2	20	0.914	4.168	67.3
10	22	0.711	1.829	51.8
20	28	0.356	0.914	51.8
30	32	0.274	0.572	45.7
40	36	0.193	0.442	48.4
50	37	0.172	0.336	43.6
60	38	0.152	0.271	41
80	40	0.122	0.195	37.8
100	42	0.102	0.152	35.8
120	43	0.092	0.119	31.8
150	45 1/2	0.066	0.103	37.1
180	46 1/2	0.053	0.088	38.9
200	47	0.051	0.076	35.8
250	48	0.04	0.062	37.7
300	48	0.039	0.044	27.6



Even the "MESH" is same;
 OPEN AREA is always same
 Due to the diameter of wire
 The details of wire as follow

A: Number of Wire
 B: Diameter of Wire
 C: Width of Opening
 D: Percentage of OPEN AR

过滤器 STRAINER

150LB/300LB

技术参数 DIMENSIONS DATA

英寸NPS 口径 DN	1/2 15	3/4 20	1 25	1-1/2 40	2 50	2-1/2 65	3 80	4 100	6 150	8 200	10 250	12 300	in mm
ANSI Class 150lb													
L (RF)	120	130	150	190	220	270	290	350	440	540	760	870	mm
H	67	73	87	123	147	180	198	234	314	400	512	581	mm
PLUG (NPT)	1/8	1/2	1/2	1/2	1/2	3/4	3/4	3/4	3/4	3/4	1	1	mm
WT (kg)	2	2	3	5	13	15	18	22	50	91	205	297	RF/RTJ

英寸NPS 口径 DN	1/2 15	3/4 20	1 25	1-1/2 40	2 50	2-1/2 65	3 80	4 100	6 150	8 200	10 250	12 300	in mm
ANSI Class 300lb													
L (RF)	160	160	190	240	250	300	320	380	550	600	760	870	mm
H	95	110	120	155	184	236	266	340	456	560	730	875	mm
PLUG (NPT)	1/8	1/2	1/2	1/2	1/2	3/4	3/4	3/4	3/4	3/4	1	1	mm
WT (kg)	3	4	5	9	16	20	24	30	70	115	270	380	RF/RTJ